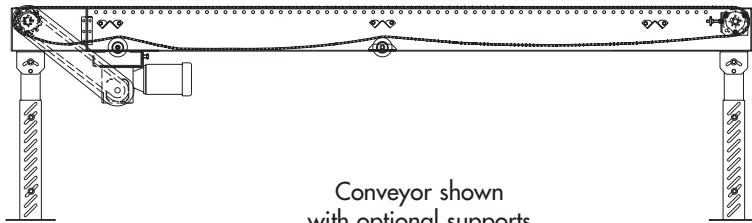
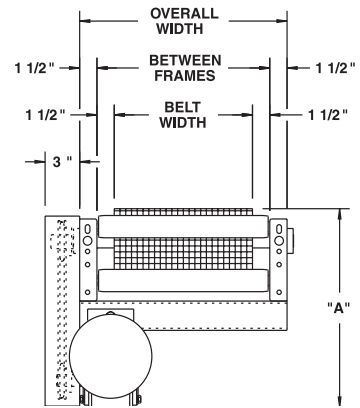


# MODEL 700SBO OPEN BED STYLE WIRE MESH BELT CONVEYOR



Conveyor shown with optional supports

Roach open type wire mesh belt conveyors offer opening in bed to allow air or various sprays to pass through belt and conveyors to accommodate numerous spraying or drying applications.



Conveyor shown with optional supports

## SPECIFICATIONS

**BELTING:** 1/2" x 1" x 11 ga. clinched edge, galvanized wire mesh belt.

**DRIVE SPROCKETS:** 4" dia. with 1-3/16" dia. shaft; 8" dia. with 1-7/16" dia. shaft.

**TAIL SPROCKETS:** 4" dia. sprocket with 1-3/16" dia. shaft.

**END DRIVE:** One-direction unit operation.

**TAKE-UP:** Screw type unit at tail end provides 12" belt take-up.

**BED:** 7" x 1-1/2" x 12 ga. open type formed channel frame w/ UHMW wear strips.

**RETURN ROLLERS:** 1.9" dia. x 16ga. steel, model 196S, adjustable.

**BELT SPEED:** 60 FPM, constant.

**BEARINGS:** Drive and tail shaft bearings are precision, heavy duty, lubricated, ball bearing units with cast iron housings.

**MOTOR DRIVE:** 1/3 HP, 230/460/3, 60 cycle, ODP right angle gear motor.

**ROLLER CHAIN:** Drive shaft is driven by No. 50 roller chain for 1-1/2 HP or less and No. 60 chain on larger drives. Chain take-up provided on motor base.

HP @ 60FPM	"A" MAX		"B" MAX	
	4" DRV.	8" DRV.	4" DRV.	8" DRV.
1/3	16-5/8"	16-5/8"	27-3/32"	33-3/32"
1/2	16-5/8"	16-5/8"	27-3/32"	33-3/32"
3/4	17"	17"	27-23/32"	33-23/32"
1	17-1/4"	17-1/4"	28-15/32"	34-15/32"
1-1/2	18-1/8"	18-1/8"	31-3/32"	37-3/32"
2	19"	19"	32-3/32"	38-3/32"

## OPTIONAL EQUIPMENT

**BELTING:** High carbon, stainless steel, others available. Consult factory.

**SPEED:** Constant speed 1.5-60 FPM; DC variable speed; AC inverter variable speed. Other constant or variable speeds available. NOTE: CAPACITY CHANGES WITH SPEED.

**MOTORS:** Available through 2 HP in TEFC, explosion proof, dirty duty, 115/230/1, 575/3, etc.

**FLOOR SUPPORTS:** Supports, knee braces, casters, and polytier supports available. See Conveyor Accessories.

## ELECTRICAL CONTROLS:

Magnetic or manual starter; limit switch; others available.

## WARNING

Prevent pinch points that exist when belt conveyors are permanently attached to other conveyors or equipment!



■ 4 week shipment