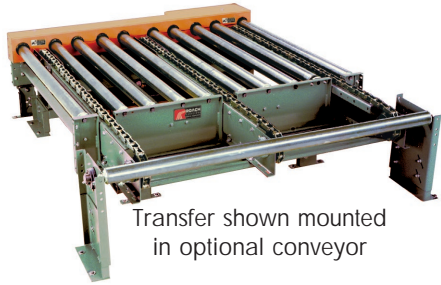


MODEL CT380/CT360

90° 3-STRAND CHAIN TRANSFER



Transfer shown mounted in optional conveyor

PRICES INCLUDE

- **TRANSFER ARM:** 7 ga. formed channel
- **TRANSFER CHAIN:** No. 80 flat side bar (model CT380) or No. 60 flat side bar (model CT360) chain
extended pitch conveyor chain, riveted
- **CHAIN CENTERS:** 18"
- **CENTER TAKE-UP:** screw type
- **LIFT:** pivot type

■ 4 week shipment

- **BEARINGS:** heavy duty, lubricated, ball bearing unit with cast iron housings
- **CHAIN SPEED:** 35 fpm constant
- **AIR CONTROLS:** air chambers with single solenoid valve
- **1/2 HP SUPER E MOTOR (230/460/3)**

MODEL CT360 (No. 60 FLAT SIDE BAR CHAIN) 1500LB. LIFT CAPACITY				
LENGTH	END DRIVE WITH PIVOT LIFT		CENTER DRIVE WITH PIVOT LIFT	
	PRICE	WT. (LBS.)	PRICE	WT. (LBS.)
3'	\$6,478	398	\$7,233	433
4'	\$6,767	444	\$7,523	479
5'	\$7,055	490	\$7,815	525
6'	\$7,341	536	\$8,098	571
7'	\$7,630	584	\$8,388	619
8'	\$7,919	631	\$8,673	665

MODEL CT380 (No. 80 FLAT SIDE BAR CHAIN) 3000LB. LIFT CAPACITY				
LENGTH	END DRIVE WITH PIVOT LIFT		CENTER DRIVE WITH PIVOT LIFT	
	PRICE	WT. (LBS.)	PRICE	WT. (LBS.)
3'	\$7,618	410	\$8,508	451
4'	\$7,957	460	\$8,850	501
5'	\$8,298	510	\$9,191	551
6'	\$8,634	560	\$9,526	601
7'	\$8,974	612	\$9,866	653
8'	\$9,312	663	\$10,205	704

IMPORTANT NOTES

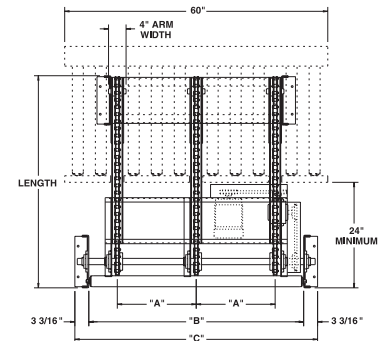
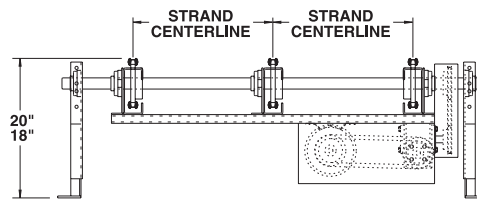
SUPPORTS ARE INTEGRATED INTO CONVEYOR ASSEMBLY

CONSULT FACTORY FOR OPTIONAL SPEEDS

CONSULT FACTORY FOR HEAVIER LOADS

"A"	"B"	"C"
12"	37"	43-3/8"
18"	49"	55-3/8"
24"	61"	67-3/8"

ADDERS	
FRL UNIT WITH 3/8" PORTS	\$490
3/4HP DRIVE	\$356
1HP DRIVE	\$731
1-1/2HP DRIVE	\$761
2HP DRIVE	\$1,566
1" POSITIVE LIFT (MODEL CT360)	\$1,748
1" POSITIVE LIFT (MODEL CT380)	\$2,054
3" POSITIVE LIFT (MODEL CT360)	\$3,953
3" POSITIVE LIFT (MODEL CT380)	\$4,651



***ADDER FOR FRAME CUTOUTS:** \$314.00 per cutout for CDLR (opposite chain guard); \$160.00 per cutout for gravity conveyor. Add cutouts when pricing chain transfer for mounting **through** conveyor frame. If chain transfer is contained within BF of conveyor, use center drive transfer and adder for 1" positive lift. To lift above roller chain guard, use 3" positive lift adder.

OPTIONAL MOTORS								
MOTOR SERIES	SUPER "E"	SUPER "E" ODP	INVERTER* DUTY	DC*		BRAKE	WASHDOWN	
VOLTAGE	230/460/3	115/230/1	230/460/3	90V	180V	230/460/3	230/460/3	
HP	1/2	N/A	\$120.40	\$196.00	\$543.20	N/A	\$1,092.00	\$599.20
	3/4	N/A	\$200.20	\$210.00	N/A	\$746.20	\$1,271.20	\$616.00
	1	N/A	\$260.40	\$1,132.60	N/A	\$1,015.00	\$1,288.00	\$637.00
	1 1/2	N/A	N/A	\$1,317.40	N/A	\$3,518.20	\$1,516.20	\$718.20
	2	N/A	N/A	\$1,411.20	N/A	\$4,305.00	\$1,547.00	\$809.20
	3	\$120.40	N/A	\$1,463.00	N/A	N/A	\$1,995.00	\$910.00

* Prices do not include controller. See Electrical Component Controls for pricing.

All Super E brake standard with 230/460/1 brake coils.

MISCELLANEOUS POWER CONVEYORS

